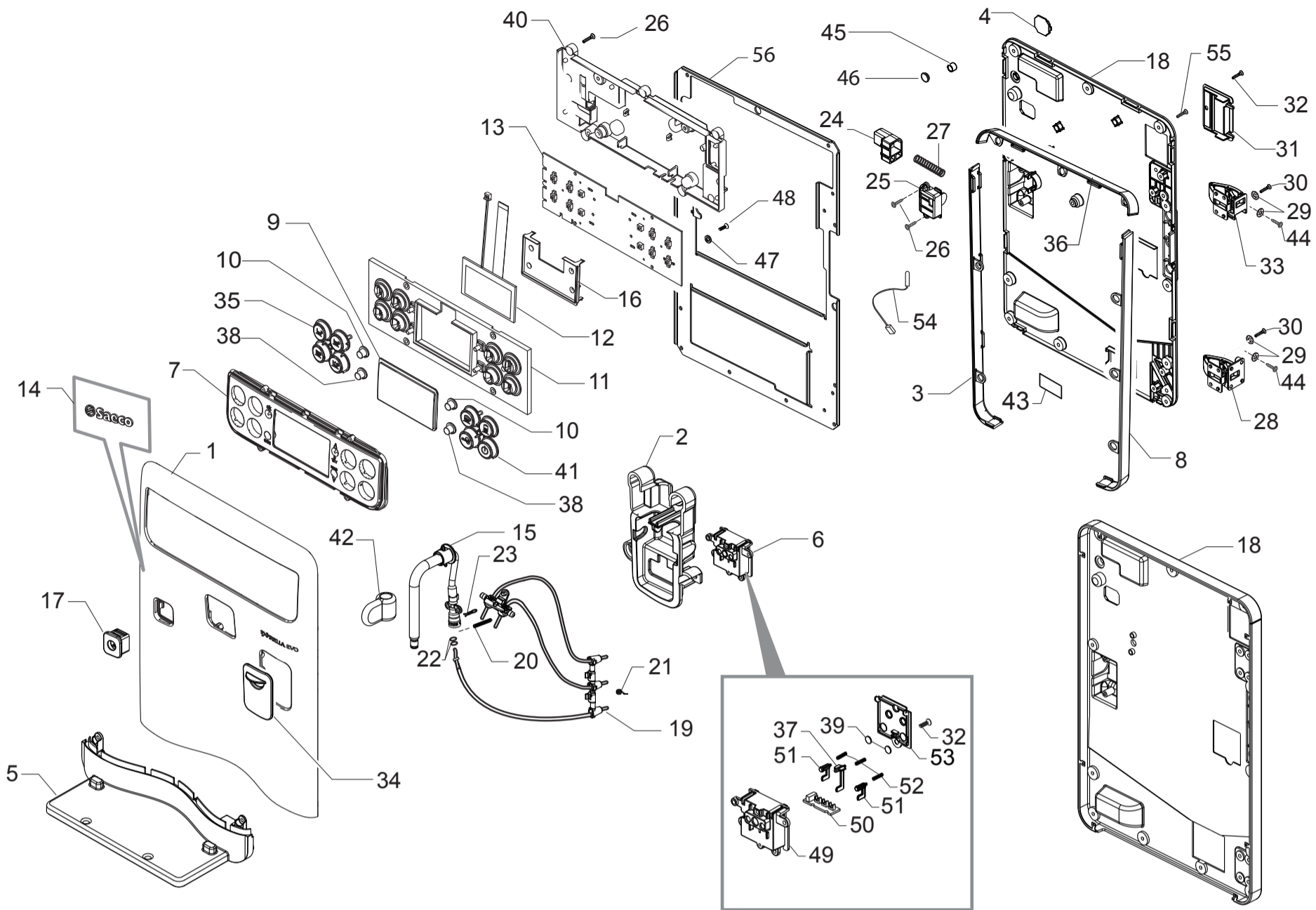


HD8855/01/03/09  
HD8857/01/03/09/47



Cod.10004192 - 10004236 - 37  
Cod.10004193 - 4238 - 39 - 4388

POS	CODE	12NC	DESCRIPTION	NOTE	POS	CODE	12NC	DESCRIPTION	NOTE
01	15003523	996530073223	DOCUMENTAT.CD MDS EXPRELIA/ENERGICAASSY		26	11023061	996530007568	BLACK PWR BOARD COVER MDS	
02	146680850	996530016529	BLACK COFFEE MEASURE SMART		27	129914002	996530013165	SCREW TCB TORX 10 3,5X16 PLAST.ZN-B	
03	127390100	996530011867	BRUSH FOR CLEANING		28	11022956	996530007512	BLACK REAR PANEL WHIT LOGO SAECO MDS	
04	11028379	996530070318	PSA KLUBER TRIBOSTAR SIL 2 TUBE 5GR.		29	11028928	996530070533	SB/SS RIGHT SIDE PANEL V2 MDS/H ASSY.	TOP
05	11025804	996530070517	CHROM.LEFT LATERAL REAR FRAME INS.MDS	TOP		11028927	996530070515	SB/SS RIGHT SIDE PANEL W/FAST.MDS/H ASSY	USA ONLY
	11030757	996530072596	TXT/BLK LEFT LATERAL REAR FRAME INS.MDS	CLASS		11030826	996530072549	MATT/BLACK RIGHT SIDE PANEL MDS/P	CLASS
06	0301.961	996530039604	STICKER FOR WATER HARDNESS TEST		30	11021829	996530007156	BLACK/TRANSP.RIGID FOOT MYB9	
07	183911050	996530025808	BLACK POWER CABLE SCHUKO L=1200		31	11021769	996530007136	BLACK RIGID FOOT FIXING PIN MYB9	
	183940650	996530025872	BLACK POWER CABLE AUSTRALIA L=1200		32	11026673	996530073497	BLACK DUMP BOX MDS ASSY.	
	183921950	996530025843	POWER CABLE SJT3 USA BLACK UL L=1200		33	11023032	996530007547	BLK DRIP TRAY COFF.BREW UNIT COVER MDS	
08	13001097	996530008404	BAND FOR LIFTING L=1800MM H=300MM		34	17002176	996530073075	BLACK COFFEE UNIT DRIP TRAY V2 MDS	
09	20006892	996530067472	KIT PS-E INSERT FOR BOX MDS		35	11023166	996530007589	40POLES FLAT CABLE BOARDS LINK MDS UL	
10	17000111	996530067464	BLACK COVER CONDUCTING SEAL MDS		36	11013806	996530006864	BLACK FLAT-CABLE PROTECTION MYB9	
11	13001508	996530072548	DISPL.BOX MDSE/H SAE EXPREL.EVOCLASS WE		37	17000064	996530067437	BLK CAPACIT.SENSOR DEADLOCK INSERT XSM	
	13001618	996530072572	DISPL.BOX MDSE/H SAE EXPREL.EVOCLASS CEE		38	11025803	996530070514	CHROM.RIGHT LATERAL REAR FRAME INS.MDS	TOP
	13001619	996530072558	DISPL.BOX MDSE/T SAE EXPRELIA EVOTOP CEE			11030756	996530072619	TXT/BLK RIGHT LATERAL REAR FRAME INS.MDS	CLASS
	13001693	996530073517	DISPL.BOX MDSE/T SAE EXPRELIA EVOTOP USA		39	17000363	996530009605	TRANSP.INFRAREDS PLATE MDS	
12	12000450	996530007819	SCREW TCB TORX 10 3,5X12 PLAST.ZN-N		40	11021976	996530007207	STEEL PLATE FOR DOOR CLOSURE MYB9	
13	11026338	996530070513	SB/SS GROUND CONT.DOOR COVER MDS/H ASSY.	TOP	41	129913202	996530013156	SCREW TCB TORX 10 3X8 PLAST.ZN-B	
	11030840	996530072588	MATT/BLK GROUND CONTAIN.DOOR S/SCR.MDS/P	CLASS	42	9161.111	996530050555	MAGNET FOR FLOAT SUPERAUT.	
14	11026339	996530070521	SB/SS WATER CONT.DOOR COVER MDS/H ASSY.	TOP	43	186401220	996530026185	BENT TABS 6,3 D=3,3 <=90° 4001851000	
	11030827	996530072591	MATT/BLACK WATER CONTAINER DOOR MDS/P	CLASS	44	11006740	996530003793	BRONZE SPRING FOR FRONT CASING G0053	
15	11028990	996530070519	SB/SS LEFT SIDE PANEL V2 MDS/H ASSY.	TOP	45	11025802	996530070516	CHROM.UPPER REAR FRAME INSERT MDS	TOP
	11030825	996530072633	MATT/BLACK LEFT SIDE PANEL MDS/P	CLASS		11030755	996530072605	TXT/BLK UPPER REAR FRAME INSERT MDS	CLASS
	11028929	996530070512	SB/SS LEFT SIDE PANEL W/FAST.MDS/H ASSY.	USA ONLY	46	17001686	996530073349	BLACK DOOR UPPER HINGE COVER MDS	
16	11023035	996530007549	SS SPRING FOR WATER CONTAINER LEVER MDS		47	11022984	996530067519	BLK-SB/SS REAR FRAME MDS ASSY.	USA ONLY
17	11022425	996530007364	YELLOW LEVER FOR WATER CONTAIN.S/SC.MYB9		48	21002050	996530071872	ACC PSA BRITA WATER FILTER 1UNIT	
18	11026340	996530070511	SB/SS BEAN CONTAIN.DOOR COVER MDS/H ASSY	TOP	49	11023304	996530007613	PWR ELECTR.BOARD INSULATE SHEET MYB9	
	11030828	996530072577	MATT/BLACK BEAN CONTAINER DOOR MDS/P	CLASS	50	17000007	996530066726	COMPONENTS SUPPORT INSULATE SHEET MYB9	
19	12001330	996530008026	TRANSP.ROUND ADHESIVE FOOT SJ-5382		51	15003592	996530072617	MANUAL SAE HD8855/HD8857 MDSE GB	
20	17000113	996530067474	BLACK COVER CASING V2 MDS			15003594	996530072556	MANUAL SAE HD8855/HD8857 MDSE FR	
21	11022950	996530007507	BLACK GROUND COFFEE HOPPER PLATE MDS			15003595	996530072604	MANUAL SAE HD8855/HD8857 MDSE ES	
22	11023060	996530007567	BLACK HORIZONTAL MOUNTING PLATE MDS						
23	11022938	996530067532	BLACK STEEL CASING MDS ASSY.						
24	11003232	996530001522	AS.CPU+SW WATER LEVEL SENSOR V2						
25	11024263	996530067506	PWR BOARD MDS	230V					
	11021342	996530007079	PWR BOARD MYB9/MDS 120V	120V					

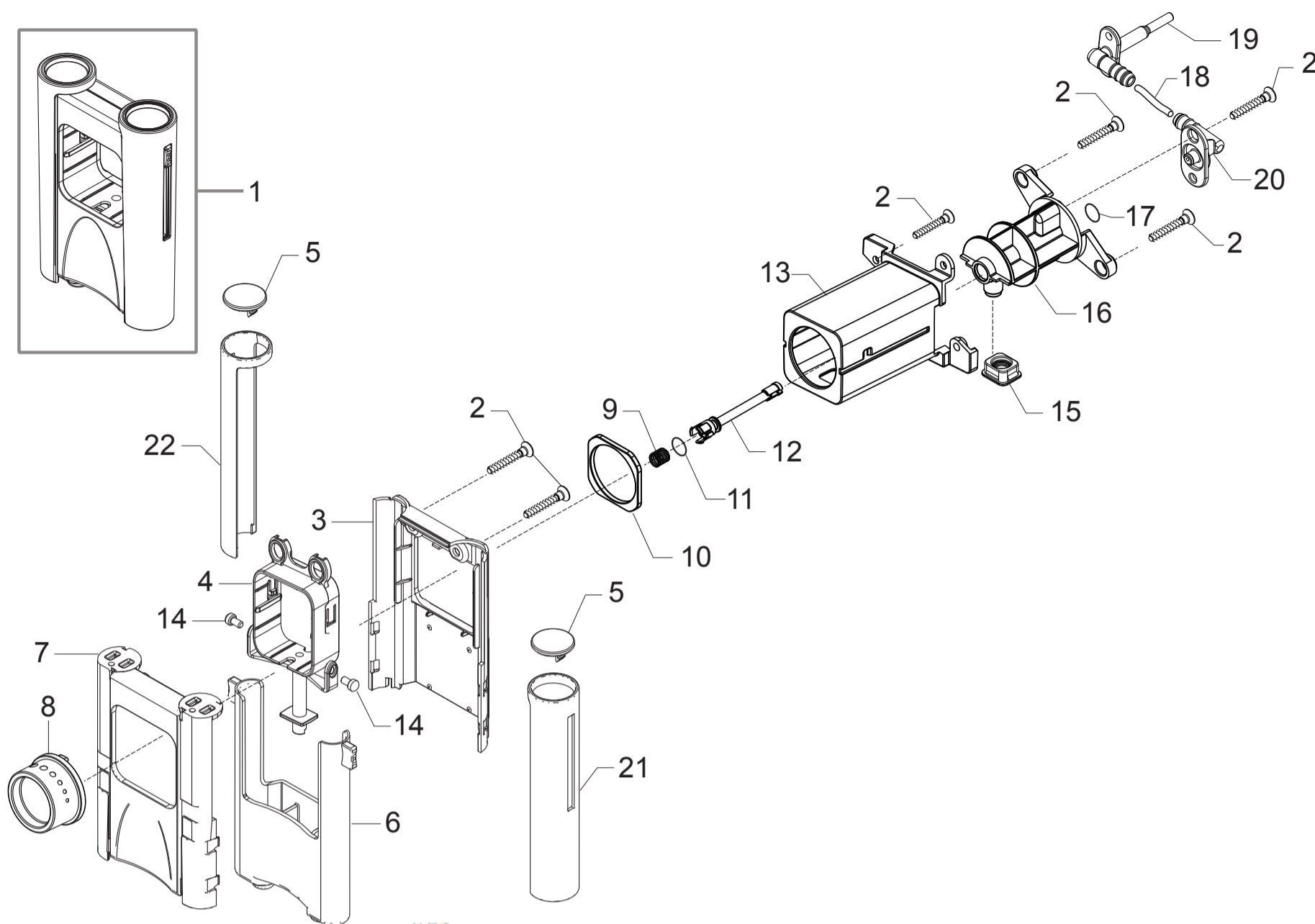


HD8855/01/03/09  
HD8857/01/03/09/47



Cod.10004192 - 10004236 - 37  
Cod.10004193 - 4238 - 39 - 4388

POS	CODE	12NC	DESCRIPTION	NOTE	POS	CODE	12NC	DESCRIPTION	NOTE
01	11029399	996530072542	SB/SS FRONTAL PANEL S/SCR.MDSE ASSY.		33	17000106	996530009584	DOOR UPPER HINGE V2 MYB9	
02	11023433	996530007629	BLACK FRONTAL PANEL INSERT MDS		34	11023368	996530007622	CHROM.CONNECT.CAP FOR CARAFE MDS ASSY.	
03	11025801	996530070528	CHROM.LEFT LATERAL FRONT FRAME INS.MDS		35	11029684	996530072576	CRC LEFT BUTTONS S/SCR.MDSE ASSY.	TOP
04	17000363	996530009605	TRANSP.INFRAREDS PLATE MDS		11030847	996530072582	MATT/BLACK LEFT BUTTONS S/SCR.MDSE ASSY.	CLASS	
05	11029324	996530070524	BLACK DRIP TRAY SUPPORT V2 MDS		36	11025799	996530070525	CHROM.UPPER FRONT FRAME INSERT MDS	
06	11022986	996530067487	BLK CARAFFE BOARD SUPPORT GEN.MDS ASSY.		37	17000045	996530009578	BLK PRESENCE CARAFE MICRO INSERT V2 MYB9	
07	11029433	996530072614	CHROM.TOUCH PANEL SUPPORT S/SCR.MDSE	TOP	38	11029430	996530072583	CRC ESC BUTTON MDSE	TOP
	11030823	996530072553	MATT/BLK TOUCH PANEL SUPPORT S/SCR.MDSE	CLASS	11030846	996530072578	MATT/BLACK ESC BUTTON MDSE	CLASS	
08	11025800	996530070527	CHROM.RIGHT LATERAL FRONT FRAME INS.MDS		39	12001330	996530008026	TRANSP.ROUND ADHESIVE FOOT SJ-5382	
09	11029410	996530072616	TRANSP.GLASS FOR DISPLAY S/SCR.MDSE		40	17001303	996530072569	BLACK INSIDE DISPLAY COVER MDSE	
10	11029429	996530072621	CRC OK BUTTON MDSE	TOP	41	11029685	996530072564	CRC RIGHT BUTTONS S/SCR.MDSE ASSY.	TOP
	11030845	996530072627	MATT/BLACK OK BUTTON MDSE	CLASS	11030864	996530072554	MATT/BLK RIGHT BUTTONS S/SCR.MDSE ASSY.	CLASS	
11	17001272	996530072586	TRANSP.TOUCH PANEL MDSE		42	17000110	996530067454	BLACK STEAM TUBE HANDGRIP MDS	
12	12001777	996530072599	DISPLAY OLED 128X64 MDSE		43	11003232	996530001522	AS.CPU+SW WATER LEVEL SENSOR V2	
13	11028673	996530072777	AS.CPU+SW MYB9/MDSE		11000651	996530000425	WATER LEVEL SENSOR BOARD P124	USA ONLY	
14	11011406	996530006054	ADHES.SILVER PLATE LOGO SAECO P0057		44	129823821	996530013079	TCB SCREW M4X8 UNI 7687 SS	
15	11023819	996530067467	TF/CHROM.STEAM TUBE MDS ASSY.		45	9161.111	996530050555	MAGNET FOR FLOAT SUPERAUT.	
16	17001424	996530072565	BLACK DISPLAY SUPPORT MDSE		46	11014016	996530006968	SS.INSERT FOR MAGNET MYB9	
17	11023021	996530007542	CHROM.EXTERNAL STEAM TUBE INSERT MDS		47	128310321	996530012339	WASHER UNI 8842 A3 SS	
18	11030578	996530072409	BLK INSIDE COVER FRONT PANEL V3 MDS		48	129912902	996530013153	SCREW TCB TORX 10 AB 2,9X6,5 SHEET ZN-B	
	11022985	996530067515	BLK-SB/SS INSIDE COVER FRON.PANEL MDS AS	USA ONLY	49	11023238	996530007602	AS.SUPP.SCHEDA CARAF.V4 MYB9 NER.	
19	17000062	996530067476	WHT PREFORM.TEFLON TUBES SUPP.MDS ASSY.		50	11013368	996530006754	MILKCARAFFE BOARD V2 MYB9	
20	17000006	996530009559	TWO WAY TEFLON TUBES SUPPORT SPRING MYB9		51	17000002	996530009555	BLACK CARAFE MICRO INSERT V2 MYB9	
21	17000698	996530072574	STEEL TEFLON TUBES SUPPORT SPRING MDS		52	17000019	996530009566	SS CARAFE MICRO INSERT SPRING MYB9	
	11013785	996530006856	STEEL TEFLON TUBES SUPPORT SPRING MYB9		53	11013328	996530006745	BLACK CARAFFE BOARD COVER MYB9	
22	140328059	996530013564	OR 2015 SILICONE PTFE/FDA		54	11003889	996530001955	2POLES CONNECT.SENSOR REED DOOR P0049 UL	
23	9011.144	996530048885	SS FORK FOR TUBE D=4		55	129912521	996530013148	SCREW TCB TORX 10 3,5X14 PLAST.SS	
24	11014215	996530007042	BLACK BUTTON FOR DOOR RELEASE MYB9		56	-	421944004761	STEEL FRONT FRAME V2 MDS	USA ONLY
25	11014218	996530007043	BLACK COVERBUTTON FOR DOOR RELEASE MYB9						
26	12000450	996530007819	SCREW TCB TORX 10 3,5X12 PLAST.ZN-N						
27	11021747	996530007128	SPRING FOR DOOR RELEASE BUTTON MYB9						
28	17000094	996530009581	DOOR LOWER HINGE V2 MYB9						
29	128310402	996530012341	GALV.WASHER UNI 8842 A4						
30	12001728	996530070321	SCREW TCB TORX 10 3,5X12 PLAST.SS						
	12001591	996530067488	GALV.SCREW TCB 4,2X13 DIN 7985 F						
31	17000048	996530067469	BLACK FLAT-CABLE COVER MDS						
32	12000895	996530007951	SCREW TSP TORX 10 3X10 PLAST.SS						

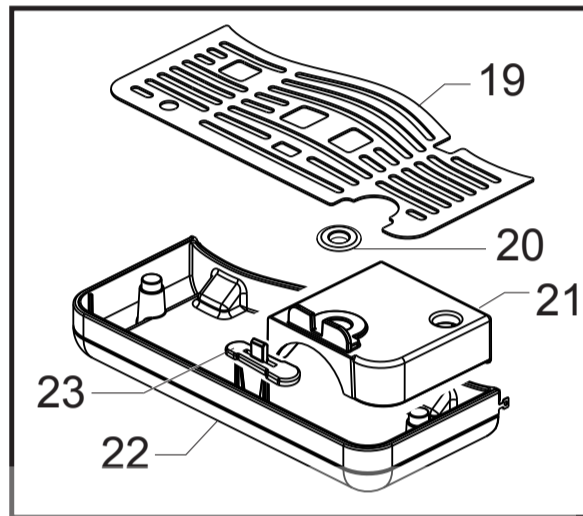
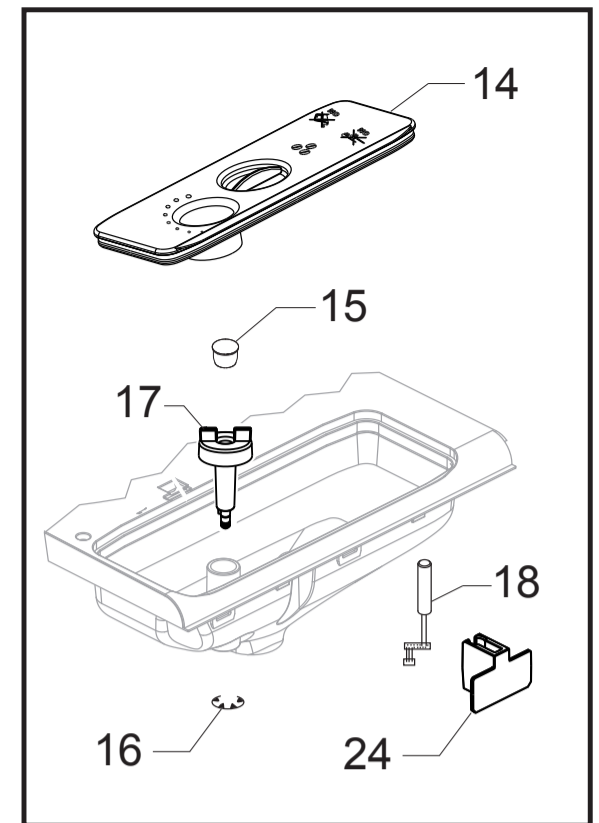
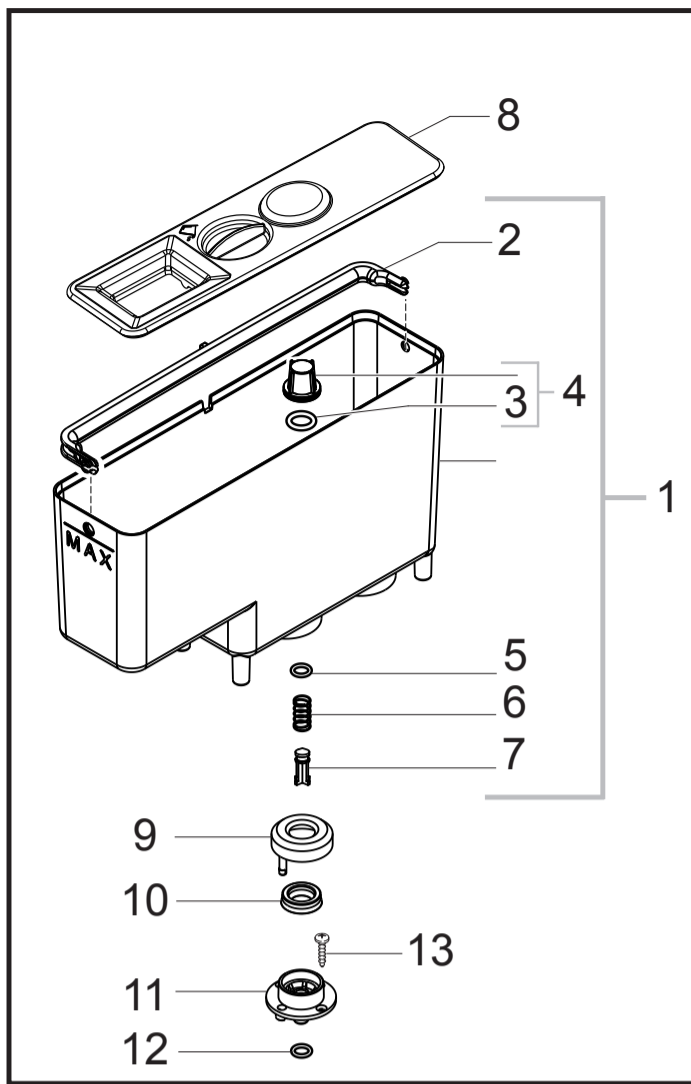


HD8855/01/03/09  
HD8857/01/03/09/47



Cod.10004192 - 10004236 - 37  
Cod.10004193 - 4238 - 39 - 4388

POS	CODE	12NC	DESCRIPTION	NOTE	POS	CODE	12NC	DESCRIPTION	NOTE
01	11029438	996530072545	CRC COFFEE DISPENSER MDSE ASSY.	TOP					
	11029559	996530072606	MATT/BLK COFFEE DISPENSER MDSE ASSY.	CLASS					
			<b>WITH PART. N° 02-03-04-05-06-07-14-21-22</b>						
02	12000450	996530007819	SCREW TCBR TORX 10 3,5X12 PLAST.ZN-N						
03	17001347	996530072628	BLACK.REAR COVER COFFEE DISPENSER MDSE						
04	17001341	996530072589	BLACK COFFEE DISPENSER INNER BODY MDSE						
05	11031418	996530073251	CHROM.COFFEE DISPENSER CAP V2 MDSE						
06	17001348	996530072624	BLACK EXT.MOBILE PART COF.DISPENSER MDSE						
07	11029434	996530072598	CRC FRONT COVER COFFEE DISPENSER MDSE	TOP					
	11030821	996530072573	MATT/BLK FRONT COVER COFF.DISPENSER MDSE	CLASS					
08	11030219	996530072546	CHROM.CREAM ADJUSTMENT KNOB S/SCR.MDSE						
09	126772518	996530011711	SS COFF.CREAM ADJUSTMENT SHAFT SPRING						
10	11013324	996530006743	BLACK CREAM ADJUSTMENT KNOB RING MYB9						
11	140326661	996530013546	OR ORM 0040-20 BLACK EPDM						
12	140640200	996530013621	WHITE COFFEE CREAM ADJUSTMENT SHAFT						
13	11022919	996530007492	CHROM.COFFEE DISPENSER SUPPORT MDS						
14	11013085	996530006614	WHITE COFFEE DISPENSER SLIDER MYB9						
15	11013072	996530006604	BLACK SEAL FOR COFFEE DISPENSER MYB9						
16	11013013	996530006585	BLACK COFFEE DISPENSER TUBE MYB9						
17	12000070	996530007732	OR ORM 0060-15 SILICONE						
18	149360200	996530018269	SILICONE TUBE 5X8 70SR	IN ROLL					
19	11013364	996530006752	BLACK DISPENSER COFF.INLET CONNECT.MYB9						
20	11012926	996530006575	BLACK COFFEE DISPENSER CONNECTOR MYB9						
21	11030090	996530073252	CHROM.LEFT SIDE INSERT COF.DISPENS.MDSE						
22	11030091	996530073253	CHROM.RIGHT SIDE INSERT COF.DISPENS.MDSE						

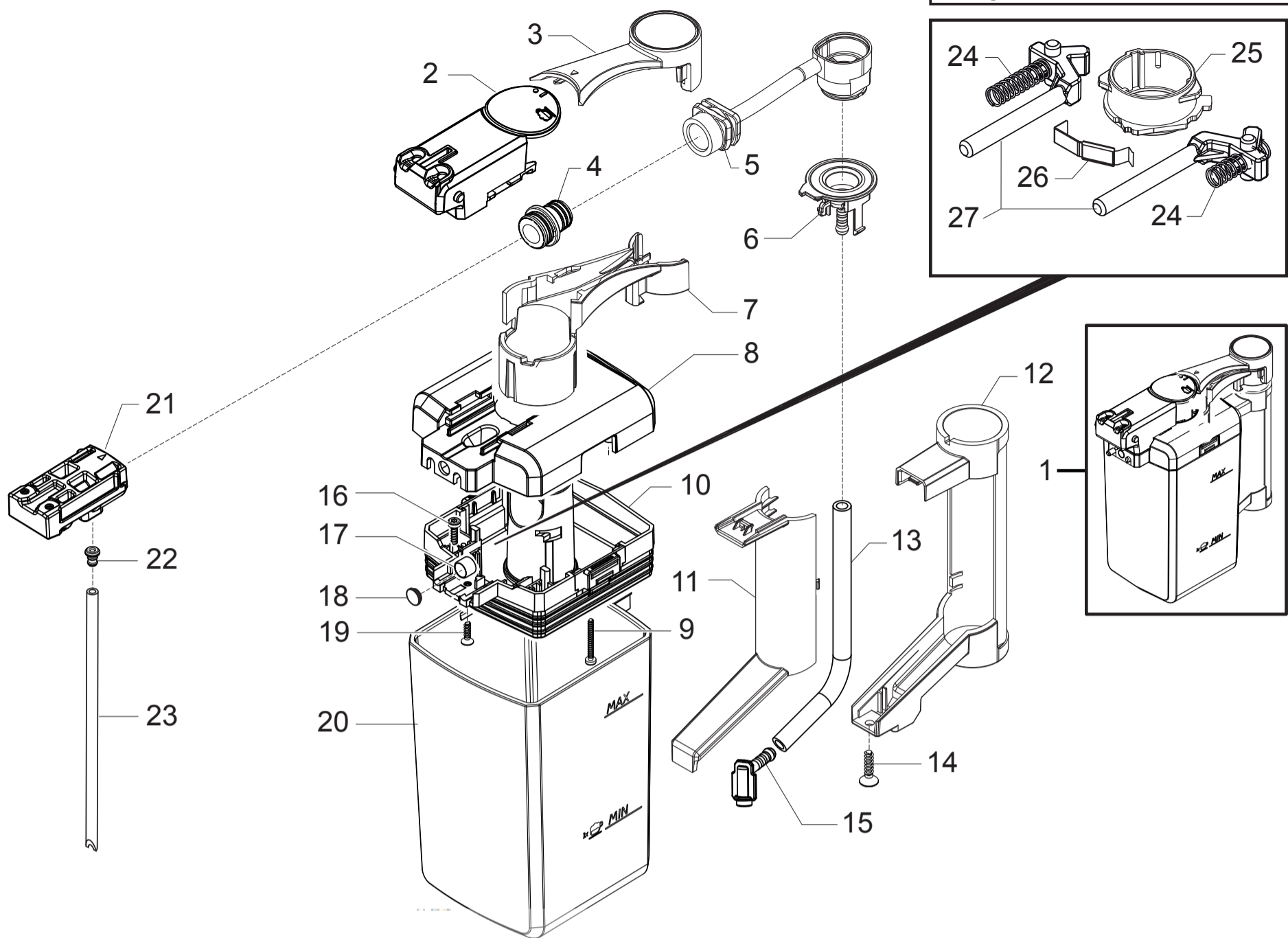


HD8855/01/03/09  
HD8857/01/03/09/47



Cod.10004192 - 10004236 - 37  
Cod.10004193 - 4238 - 39 - 4388

POS	CODE	12NC	DESCRIPTION	NOTE	POS	CODE	12NC	DESCRIPTION	NOTE
01	11023037	996530007552	NAT/GREY WATER CONTAINER MDS ASSY.						
02	11023155	996530007587	BLACK WATER CONTAINER HANDLE MDS						
03	140328461	996530013571	OR ORM 0190-10 EPDM						
04	224640200	996530029115	WHITE WATER CONTAINER EXT.FILTER ASSY.	WITH PART.N°03					
05	140324362	996530013507	OR ORM 0060-30 SILICONE						
06	126764718	996530011626	SS WATER CONTAINER VALVE SPRING						
07	147660562	996530016894	GREY PISTON FOR WATER CONTAINER VALVE						
08	11023038	996530007553	NAT/GREY WATER CONTAINER LID MDS						
09	0701.031.150	996530044417	GREY WATER VALVE GACO DIM 14 SEAL COVER						
10	145842900	996530015823	NBR WATER CONT.VALVE GACO DIM14 SEAL						
11	0701.014.150	996530044404	GREY WATER VALVE GACO DIM 14 SEAL CONT.						
12	140320461	996530013446	OR ORM 0080-20 TERMOIL						
13	129535721	996530012898	SCREW TSP TORX 10 AB 3,5X9,5 SHEET SS						
14	11023044	996530007557	NAT/GRY BEAN COF.CONT.LID S/SCR.MDS ASSY						
15	149213059	996530018116	GREY CAP FOR KNOBS BEAN CONTAINER						
16	120350604	996530010768	SHAFT 6 UNI 7434						
17	11022951	996530007508	BLACK GRIND.ADJUSTMENT KNOB MDS						
18	17800430	996530073402	5POLES CONNECTOR MC SENSORS V2 MDS UL						
19	11023025	996530007543	SS DRIP TRAY GRATE MDS						
20	17000147	996530066732	BLACK GRATE SEAL V3 MYB9/H-P						
21	11023030	996530007545	BLACK DRIP TRAY COVER MDS						
22	11023029	996530067463	SM/SS-BLACK DRIP TRAY MDS ASSY.	TOP CLASS					
	17001492	996530072594	BLACK DRIP TRAY MDS/P ASSY.						
23	17000001	996530009554	RED FLOAT FOR DRIP TRAY MDS						
24	17000204	996530067529	BLACK REED SENSOR SUPPORT MDS						

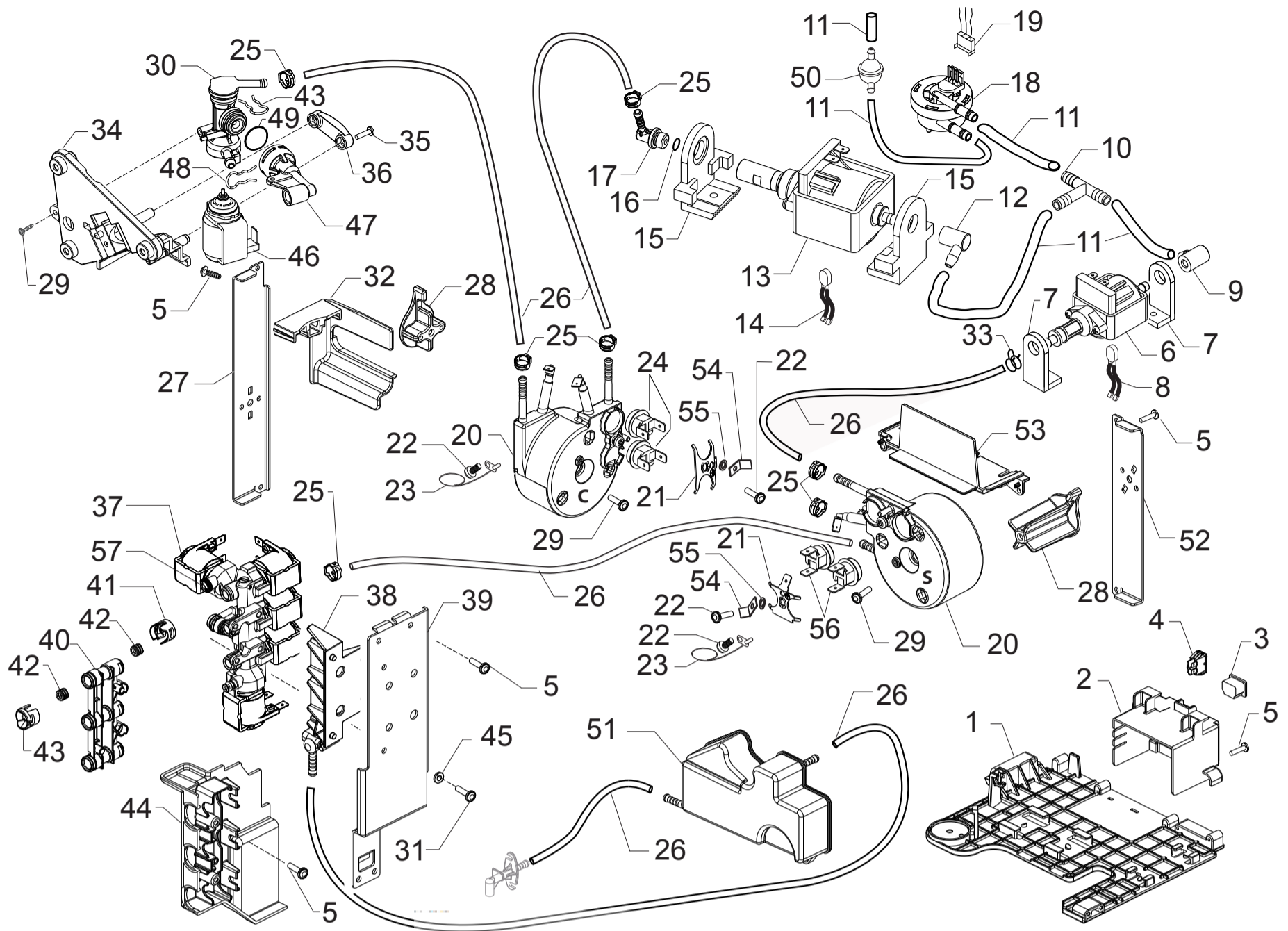


HD8855/01/03/09  
HD8857/01/03/09/47



Cod.10004192 - 10004236 - 37  
Cod.10004193 - 4238 - 39 - 4388

POS	CODE	12NC	DESCRIPTION	NOTE	POS	CODE	12NC	DESCRIPTION	NOTE
01	11029686	996530072568	TRANSP-TXO/BLACK GEN.CARAFE MDSE ASSY.						
02	11030112	996530073249	TXO/BLK CARAF.CAP.COVER V2 MYB9 ASSY.						
03	11029717	996530072611	TXO/BLK CARAF.UPPER DISP.SUPP.MDSE ASSY.						
04	11012812	996530006527	VENTURI TUBE FOR CAPPUCCINATORE MYB9						
05	17001880	996530073248	BLACK CARAFE MILK DISPENSER TUBE V2 MDSE						
06	17001564	996530072547	BLACK UPPER TUBE CARAFE CONNECT.MDSE						
07	11029458	996530072634	TXO/BLK CARAFE LOWER DISPENSER SUPP.MDSE						
08	11030950	996530072575	MATT/BLACK UPPER COVER PART CARAFE MYB9						
09	12000550	996530007838	SCREW TCB TORX 10 3X25 PLAST.SS						
10	11021893	996530007192	BLACK LOWER COVER PART CARAFE MYB9 ASSY.						
11	11029472	996530072555	TXO/BLK CARAFE REAR PART HANDLE MDSE						
12	11029727	996530072615	TXO/BLK CARAF.FRONT PART HANDL.MDSE ASSY						
13	149360200	996530018269	SILICONE TUBE 5X8 70SR	IN ROLL					
14	129911721	996530013137	SCREW TSP TORX 4X16 PLAST STEEL						
15	11013164	996530006669	BLACK LOWER TUBE CARAFE CONNECT.MYB9						
16	129910921	996530013128	SCREW TCB TORX 10 3X10 SS						
17	9161.111	996530050555	MAGNET FOR FLOAT SUPERAUT.						
18	11014016	996530006968	SS.INSERT FOR MAGNET MYB9						
19	12000895	996530007951	SCREW TSP TORX 10 3X10 PLAST.SS						
20	11024104	996530007705	TRANSP.CARAFE V3 S/SCREEN MYB9						
21	17000004	996530009557	BLK CARAFE CAPPUCCIN.CASING W/CAPS MYB9						
22	17001076	996530072552	GREY MILK TUBE CONNECTOR MDSE						
23	11012814	996530067584	SILICONE TUBE 3,5X6 L=140 MM						
24	11013765	996530006849	STEEL SPRING FOR CARAFE LEVER MYB9						
25	17001728	996530072607	BLACK CAM FOR CARAFE LEVERS MDSE						
26	11013832	996530006873	CARAFE SPRING WITH INSERT MYB9 ASSY.						
27	17000131	996530067459	BLACK LEVER FOR CARAFE CAM V3 MYB9						

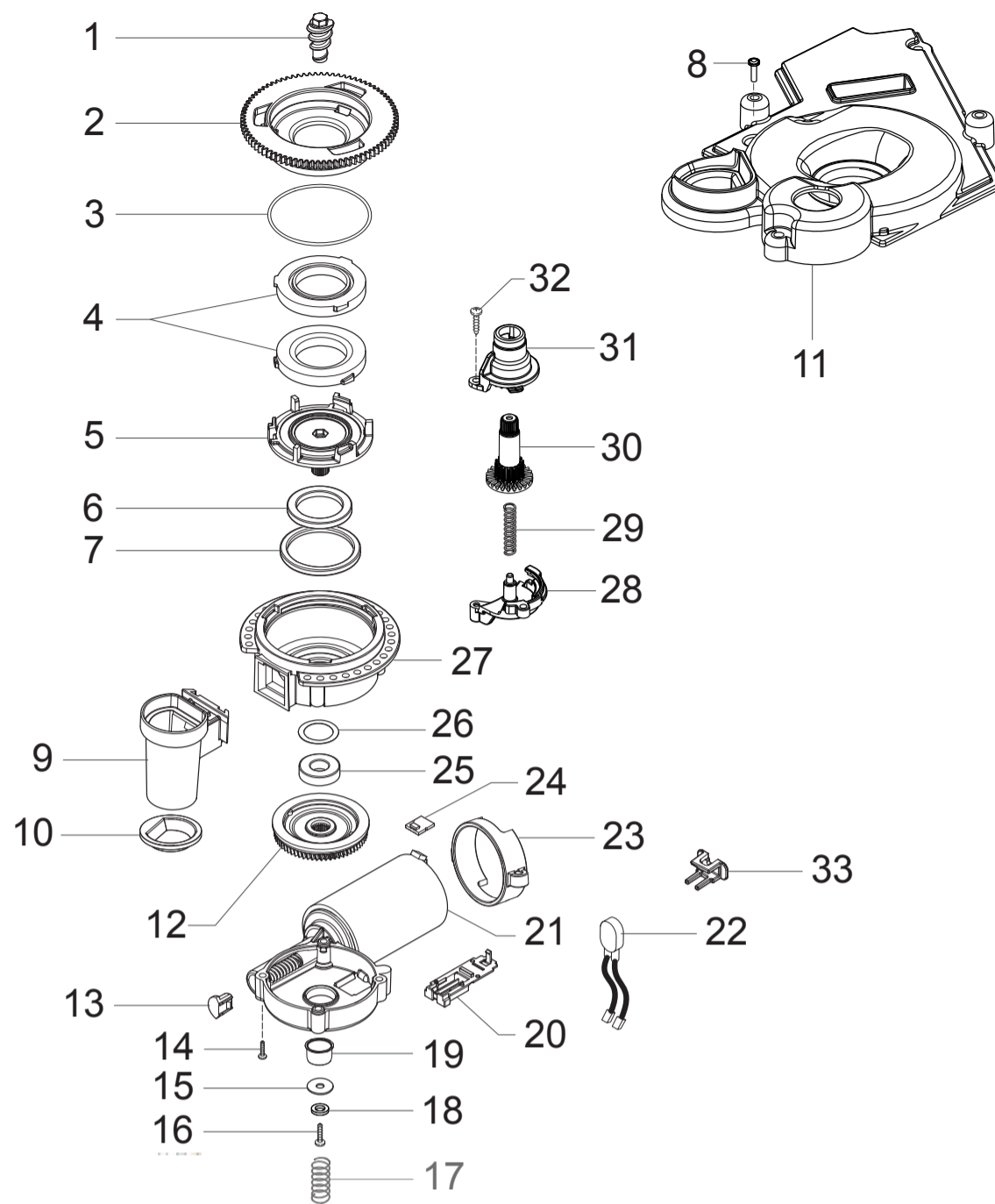


HD8855/01/03/09  
HD8857/01/03/09/47



Cod.10004192 - 10004236 - 37  
Cod.10004193 - 4238 - 39 - 4388

POS	CODE	12NC	DESCRIPTION	NOTE	POS	CODE	12NC	DESCRIPTION	NOTE
01	11023066	996530007572	BLACK COMPONENTS SUPPORT MDS		40	11023053	996530007564	BLACK DOOR TUBES COUPLING CONNECTOR MDS	
02	11023074	996530067449	BLACK SOCKET-SWITCH SUPPORT MDS		41	11023048	996530007561	BLACK EV CONNECTOR INSERT MDS	
03	12001883	996530072437	CUP SOCKET V3 EN 60320 C 13		42	11013789	996530006858	BLACK EV CONNECTOR SEAL MYB9	
	12001645	996530069782	CUP SOCKET V2 EN 60320 C 13	UL	43	11013788	996530006857	BLACK EV CONNECTOR INSERT MYB9	
04	NE03.038	996530058836	BIPOLAR SWITCH FUSIT C1250AR		44	11023054	996530007565	BLACK DOOR TUBES COUPLING PROTECTION MDS	
05	12000450	996530007819	SCREW TCBR TORX 10 3,5X12 PLAST.ZN-N		45	11021842	996530007158	SOLENOID VALVE CONNECT.INSUL.WASHER MYB9	
06	12001212	996530008003	ULKA PUMP MF	230V-50HZ	46	20000590	996530009859	BLOWDOWN VALVE COIL P0049 ASSY.	230V
	12001346	996530008028	ULKA PUMP MF	120V-60HZ		20000680	996530009874	BLOWDOWN VALVE COIL P0049 120V ASSY.	
07	11012194	996530006315	BLACK/SBR ULKA MF PUMP SUPPORT		47	11007565	996530004421	BLACK BLOWDOWN VALVE CONNECTOR V2 P0049	
08	11022888	996530007481	2POLES CONNECTOR STEAM PUMP MDS UL		48	11005096	996530002744	SS FORK SPRING FOR BLOWDOWN VALVE P0049	
09	11012193	996530006314	90° INLET CONNECTOR FOR PUMP ULKA MF		49	12000620	996530007856	OR ORM 0130-20 EPDM	
10	147920300	996530017351	TRANS.CONNECTOR D=8 ART.80.26.047 KA.461		50	12001595	996530067498	TRANSP/WHITE ASPIRATION FILTER MDS	
11	JS01.022	996530057357	SILICONE TUBE 5X10 60SH	IN ROLL	51	17000408	996530009606	BLACK STEAM BLOWDOWN CONDENSER MDS ASSY.	
12	147920150	996530017348	90° INLET PUMP CONNECTOR		52	11023070	996530007574	STEEL STEAM TUBOL.BOILER SUPPORT MDS	
13	12000140	996530007753	ULKA PUMP EP5/S GW	230V-50HZ	53	17000226	996530067501	BLK HORIZONTAL MOUNTING PLATE INSERT MDS	
	12000142	996530007754	ULKA PUMP EAP5/S	120V-60HZ	54	124390520	996530011326	BRASS BENT FASTON 45° 6,3X0,8	
14	11022885	996530007477	2POLES CONNECTOR COFFEE PUMP MDS UL		55	128310402	996530012341	GALV.WASHER UNI 8842 A4	
15	11022857	996530007468	BLACK PUMP SUPPORT GMYB		56	-	421940813001	KIT SPARES STEAM BOILER THERMOSTATS	
16	140321961	996530013471	O-RING 2031 TERMOIL		57	11013825	996530006868	BLACK MILK-AIR FLOW SELECTOR MYB9	
17	11001054	996530000624	BLK PUMP OUTLET 90°CONNECTOR P0049/B			11006995	996530003974	BLOWDOWN VALVE V2 MYB9 ASSY.	230V
18	NV99.099	996530059843	TURBINE D=1,2 932-8521/00 ASSY.			11022038	996530007215	BLOWDOWN VALVE V2 MYB9 ASSY	120V
19	11022925	996530007494	6POLES CONNECTOR FLOWMETER MDS UL					WITH PART. N°30-46-47-48-49	
20	11013735	996530006841	SLIM TUB.BOILER ASSY.	230V-1300W				WITH PART. N°30-46-47-48-49	
	11023153	996530007586	SLIM TUB.BOILER ASSY.	120V-1300W					
21	11001751	996530000997	TUB.BOILER V3 UPPER THERM.FIXING SPRING						
22	129573402	996530012923	SCREW TAPT M4X10 DIN 7985 GALV				421941302131	SLIM TUB.BOIL.C2 T150-204 AS	230V-1300W
23	190800100	996530026997	TEMPERATURE SENSOR NTC UL L=280MM				421941302101	SLIM TUB.BOIL.C2 T170-204 AS	230V-1300W
24	-	421940812991	KIT SPARES COFFEE BOILER THERMOSTATS				421941302141	SLIM TUB.BOIL.C2 T150-204 AS	120V-1300W
25	12000892	996530007947	OETIKER CLAMP D=9,5 16700004					WITH PART. N°20-21-22-23-56	
26	16000380	996530009505	5X8,9 SILICONE TUBE	IN ROLL			421941302111	SLIM TUB.BOIL.C2 T170-204 AS	120V-1300W
27	17001900	996530073079	STEEL COFFEE TUBOL.BOILER SUPPORT V2 MDS					WITH PART. N°20-21-22-23-24	
28	11023282	996530007608	BLACK SLIM TUB.BOILERS SUPPORT MYB9						
29	12001369	996530008039	SCREW TSP TORX 10 5X35 PLAST.SS						
30	20006558	996530010201	BLOWDOWN VALVE CASING MYB9 ASSY.						
31	129914302	996530013168	SCREW TORX M4X10 TESTA D=8X1,5 GALV						
32	11023071	996530007575	BLK COFFEE BOILER INSULATING COVER MDS						
33	184320200	996530025907	SPRING HOSE CLAMP D=9,5MM						
34	11012206	996530006317	BLACK BLOWDOWN VALVE SUPPORT MYB9						
35	129913902	996530013164	SCREW TCB TORX 10 3X12 PLAST.ZN-B						
36	11013711	996530006834	BLACK VALVE FIXING FLANGE MYB9						
37	11027559	996530072631	DIFFUSER VALVE V2 MDS ASSY.						
38	17001328	996530072561	BLACK DIFFUSER VALVE SUPPORT V2 MDS						
39	11023914	996530067495	BLACK STEEL DIFFUSER VALVE SUPPORT MDS						

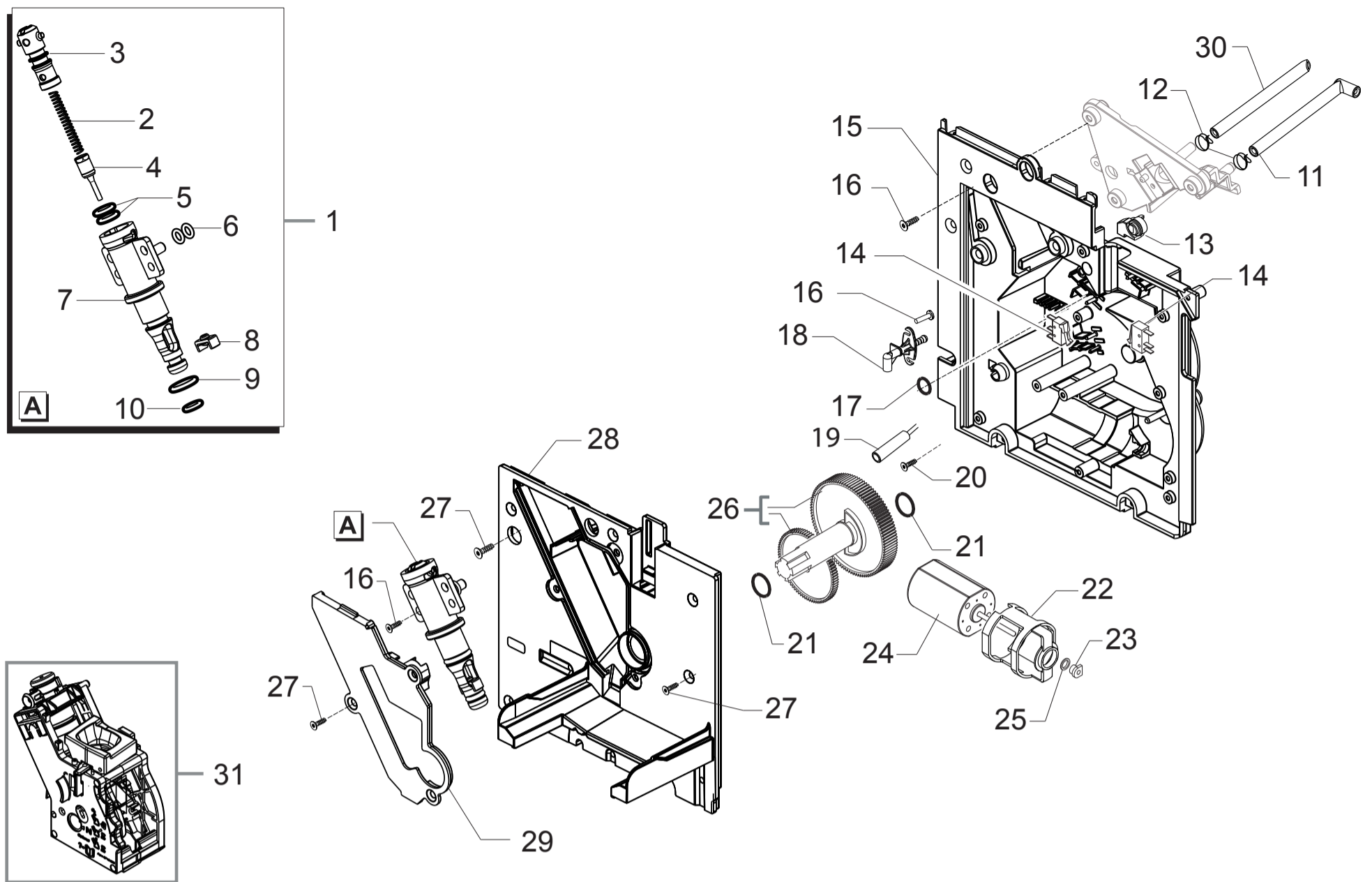


HD8855/01/03/09  
HD8857/01/03/09/47



Cod.10004192 - 10004236 - 37  
Cod.10004193 - 4238 - 39 - 4388

POS	CODE	12NC	DESCRIPTION	NOTE	POS	CODE	12NC	DESCRIPTION	NOTE
01	11011205	996530005991	TEA ZAMA INCREASE SCREW GRINDER						
02	149198250	996530017951	BLK UPPER COFFEEGRINDER GRINDER SUPPORT						
03	140328960	996530013577	OR ORM 0530-15 NBR FDA						
04	146520100	996530016342	BAKED CLAY GRINDER 48X28						
05	149198350	996530017952	BLK LOWER COFFEEGRINDER GRINDER SUPPORT						
06	123030300	996530011183	AXIAL BEARING EKKO 342.35252						
07	140360500	996530013597	FELT RING 45,4X39,4X4						
08	12000450	996530007819	SCREW TCB TORX 10 3,5X12 PLAST.ZN-N						
09	11026355	996530068049	BLK GROUND COFF.OUTLET CONVEYOR V4 ASSY.						
10	11030459	996530072511	GRY GROUND COFFEE CONT.LOWER SEAL SMART1						
11	11023063	996530007569	COFFEE GRINDER SOUNDPROOFING COVER MDS						
12	226000300	996530029609	GEAR SX Z=38 FOR GRINDER MOTION ASSY.						
13	149214800	996530018139	MC V3 MOD=1,25 WORM SCREW CENTRING CAP						
14	129661702	996530012992	SCREW TCB TORX 3,5X30 PLAST.ZN-B						
15	128381902	996530012375	STEEL FLAT WASHER DI=4,3 DE=14 SP=1,5						
16	129574802	996530012928	SCREW TCB TORX 20 M4X30 ZN-B						
17	11000597	996530000376	COFFEE GRINDER SUPPORT SPRING P124						
18	128310402	996530012341	GALV.WASHER UNI 8842 A4						
19	11002873	996530001389	INSULATOR BUSH FOR GRINDER MOTOR P124						
20	149199050	996530017963	BLK SENSOR SUPPORT FOR COF.GRINDER MOTOR						
21	11000513	996530000317	MOTOR COFFEEGRINDER V3.1 ASSY.	230V					
	11000511	996530000315	MOTOR COFFEEGRINDER V3.1 ASSY.	120V					
22	17800040	996530009633	2POLES CONNECTOR GRINDER MOTOR MDS UL						
23	11000194	996530000115	BLACK COFFEEGRINDER MOTOR SUPPORT P124						
24	181540900	996530022784	ELECTR.BOARD WITH SENSOR HAL506 SF-K						
25	123030200	996530011182	RADIAL BEARING 61900.2RS1						
26	128381800	996530012374	STEEL CRINKLE WASHER 21,8X14X0,25						
27	142905450	996530015258	BLK UPPER BODY WITH COFFEE GROUND OUTLET						
28	11002613	996530001314	LOWER COFFEEGRINDER GEAR SUPPORT P124						
29	11002572	996530001308	COFFEEGRINDER REGULATION SPRING P124						
30	11003784	996530001907	COFFEE GRINDING ADJUSTMENT GEAR P0049						
31	11002508	996530001296	UPPER COFFEEGRINDER GEAR SUPPORT P124						
32	129914002	996530013165	SCREW TCB TORX 10 3,5X16 PLAST.ZN-B						
33	17001921	996530072477	BLK WIRING FIX INSERT FOR GRINDER BOARD						
	11023062	996530067517	GEN.COFFEE GRINDER MOTOR MDS ASSY.	230V					
	11025469	996530069907	GEN.COFFEE GRINDER MOTOR MDS ASSY.	120V					

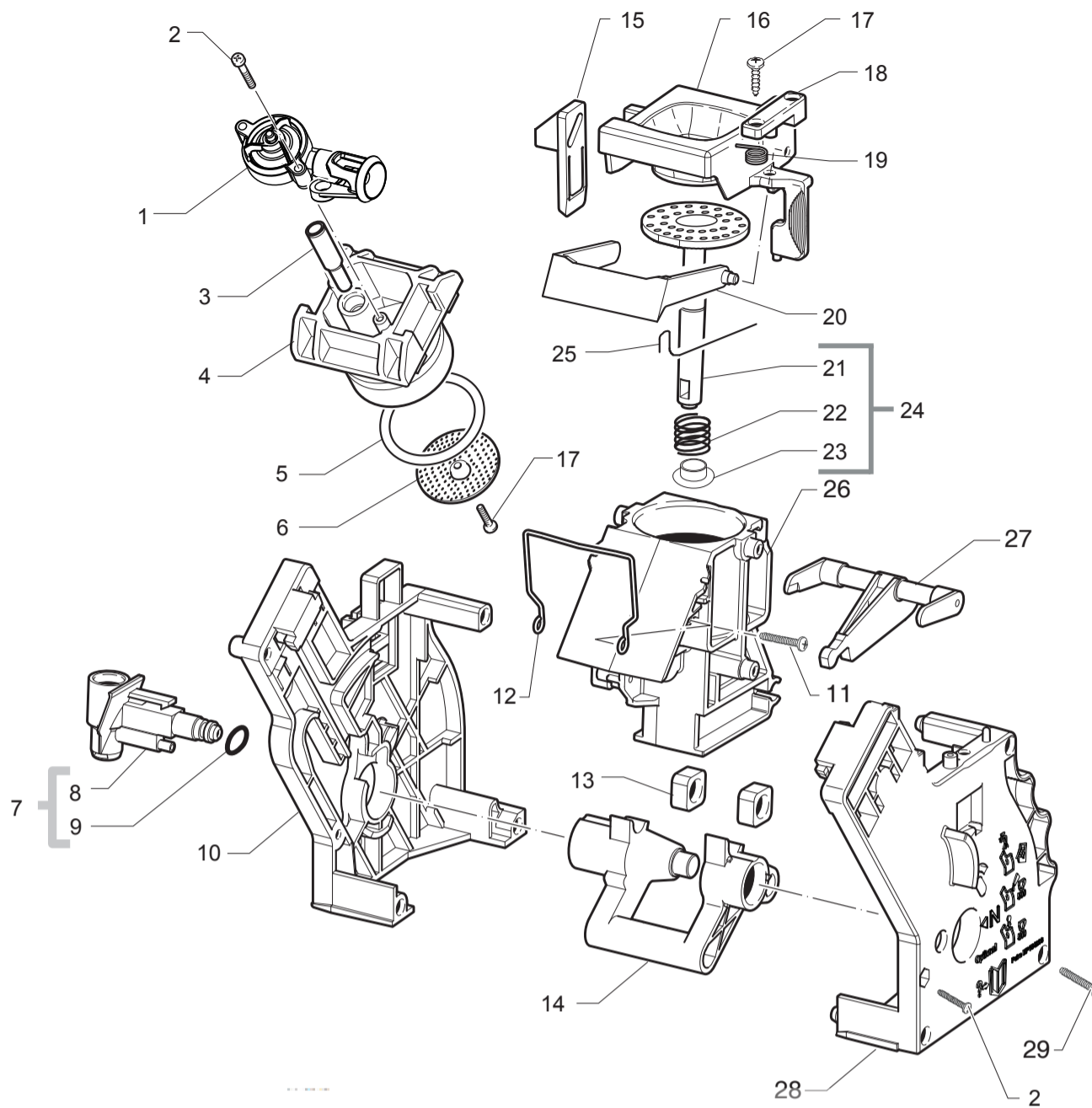


HD8855/01/03/09  
HD8857/01/03/09/47



Cod.10004192 - 10004236 - 37  
Cod.10004193 - 4238 - 39 - 4388

POS	CODE	12NC	DESCRIPTION	NOTE	POS	CODE	12NC	DESCRIPTION	NOTE
01	11005060	996530002717	PIN V2 FOR BOILER P119 ASSY.						
02	9011.132	996530048874	SS SPRING FOR PIN						
03	11003820	996530001932	BLACK CAP V2 FOR PIN BOILER P119						
04	11009019	996530005183	TEA/BRASS PISTON L=20,9 ASSY.						
05	140324459	996530013508	OR ORM 0060-20 SILICONE PTFE/FDA						
06	140328059	996530013564	OR 2015 SILICONE PTFE/FDA						
07	11003801	996530001926	NAT.PIN V2 FOR BOILER P119						
08	11005099	996530002747	NATURAL CURSOR V2 FOR BOILER P119						
09	NM01.035	996530059399	OR ORM 0090-20 SILICONE						
10	NM01.057	996530059419	OR ORM 0050-20 IN SILICONE						
11	11012337	996530006375	WATER DRAIN CONNECTOR MYB9						
12	NV99.087	996530059836	BAND D=11/11,6						
13	11013514	996530006796	BLACK MOUNTING PLATE COVER SEAL MYB9						
14	NE05.038	996530058869	MICROSWITCH SAIA XCG5-81-P5						
15	11023064	996530007571	BLACK MOUNTING PLATE WITH PIN MDS ASSY.						
16	12000450	996530007819	SCREW TCB TORX 10 3,5X12 PLAST.ZN-N						
17	140325462	996530013526	OR ORM 0070-20 SILICONE						
18	11023055	996530007566	BLACK STEAM BLOWDOWN 90° CONNECTOR MDS						
19	11003661	996530001819	REED SENSOR MK3-1A66-BV16451						
20	129913902	996530013164	SCREW TCB TORX 10 3X12 PLAST.ZN-B						
21	9161.132	996530050569	MYLAR WASHER FOR RATIOMOTOR						
22	9121.044	996530049896	ANTIVIBRATION FOR MOTOR						
23	9121.046	996530049898	BRONZE SINTERED BUSH FOR MOTOR RATIOMOT.						
24	11005214	996530002796	MOTOR FOR RATIOMOTOR P124 ASSY.						
25	148380200	996530017424	BAKELIZZATE WASHER D=5,5						
26	20000900	996530009913	SPARES KIT GEARS FOR RATIOMOTOR V2						
27	12001860	996530072411	SCREW TSP TORX 10 3,5X14 PLAST.SS						
28	17000049	996530068009	BLACK COVER MOUNTING PLATE MDS						
29	142856550	996530015064	BLACK COVER FOR BOILER VAIN P119						
30	JS01.022	996530057357	SILICONE TUBE 5X10 60SH	IN ROLL					
31	11012810	996530006525	BLACK BREW UNIT 8GR.SBS MYB9						



HD8855/01/03/09  
HD8857/01/03/09/47



Cod.10004192 - 10004236 - 37  
Cod.10004193 - 4238 - 39 - 4388

POS	CODE	12NC	DESCRIPTION	NOTE	POS	CODE	12NC	DESCRIPTION	NOTE
01	11002154	996530001192	SBS VALVE P124 ASSY.						
02	12000550	996530007838	SCREW TCB TORX 10 3X25 PLAST.SS						
03	11009276	996530005372	BLK COUNTER PISTON TUBE BREW UNIT S0053						
04	11001840	996530001046	BLACK COUNTER PISTON BREW UNIT 8GR.P124						
05	NM01.044	996530059406	OR ORM 0320-40 SILICONE PTFE/FDA						
06	9161.268	996530050709	PERCOLATOR DE=35,8 ELFO						
07	20000440	996530009825	BLACK WATER INLET SLEEVE BREW UNIT ASSY.						
08	9161.064.050	996530050488	BLACK WATER INLET SLEEVE BREW UNIT ROYAL						
09	NM02.007	996530059441	OR 2025 IN TERMOIL						
10	9161.375.050	996530050832	BLACK BREW UNIT REAR PLATE SMART						
11	129912521	996530013148	SCREW TCB TORX 10 3,5X14 PLAST.SS						
12	11001556	996530000898	SS BREW UNIT SPRING H=49 SMART						
13	9161.094.050	996530050539	BLACK BREW UNIT DRILLED BLOCK						
14	9161.066.050	996530050492	BLACK BREW UNIT ELBOW SHAFT M5000						
15	9161.373.050	996530050827	BLACK BREW UNIT COUPLING PLATE SMART						
16	149261350	996530018241	BLACK HOPPER DOSER BREW UNIT SMART1						
17	12000895	996530007951	SCREW TSP TORX 10 3X10 PLAST.SS						
18	9161.374.050	996530050829	BLK BREWUNIT HOPPER BLOCKING PLATE SMART						
19	9161.378	996530050838	SS HOPPER SPRING FOR BREW UNIT SMART						
20	11004161	996530002096	BLACK SCRAPER FOR BREW UNIT M5000						
21	11003077	996530001451	BLK BREW UNIT INTEGRAL PISTON 8GR.ASSY.						
22	9161.198	996530050627	SS.8GR.BREW UNIT PISTON SPRING						
23	9161.191	996530050618	WHITE 8GR.-12GR.BREW UNIT PISTON BUSH						
24	11023086	996530007577	BLK 8GR.BREW UNIT NTEGR.PISTON GEN.ASSY.						
25	9161.046	996530050455	SS SCRAPER SPRING FOR BREW UNIT						
26	11003075	996530001448	BLACK COFFEE CONTAINER BREW UNIT P124						
27	11003078	996530001452	BLACK CONNECTING ROD BREW UNIT 8GR.						
28	11005920	996530003228	BLACK BREW UNIT FRONT PLATE S/SCR.SMART						
29	12000897	996530007953	SCREW TCB TORX 10 3,5X20 PLAST.SS						
	11012810	996530006525	BLACK BREW UNIT 8GR.SBS MYB9						